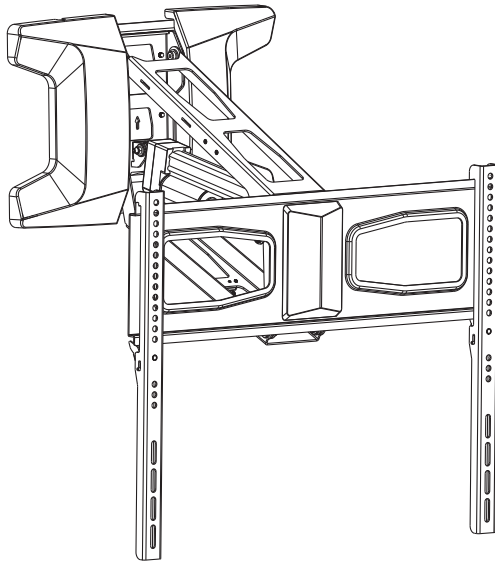




Electric TV Wall Mount

Instruction Manual



SKU: MOUNT-E-MM070



Scan the QR code with your mobile device or follow the link for helpful videos and specifications related to this product.

<https://vivo-us.com/products/mount-e-mm070>

GET IN TOUCH | Monday-Friday from 7:00am-7:00pm CST



help@vivo-us.com



www.vivo-us.com
Chat live with an agent!

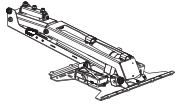


309-278-5303

WARNING!

If you do not understand these directions, or if you have any doubts about the safety of the installation, please call a qualified technician. Check carefully to make sure there are no missing or defective parts. Improper installation may cause damage or serious injury. Do not use this product for any purpose that is not explicitly specified in this manual. Do not exceed weight capacity. We cannot be liable for damage or injury caused by improper mounting, incorrect assembly or inappropriate use.

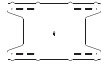
PACKAGE CONTENTS



A (x1)
Mount



B (x2)
Wall Plate Cover



C (x1)
Stencil



D (x1)
TV Plate



E (x2)
VESA Bracket



F (x1)
Front Cover



G (x1)
Remote



H (x1)
Power Cord



I (x1)
Wrench



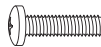
M-A (x4)
M5x14



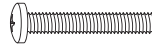
M-B (x4)
M6x14



M-C (x4)
M6x30



M-D (x4)
M8x30



M-E (x4)
M8x50



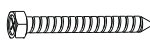
M-F (x4)
Square Washer



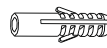
M-G (x8)
5mm Spacer



M-H (x8)
15mm Spacer



W-A (x6)
Screw



W-B (x6)
Anchor



W-C (x6)
Washer

NOTE: NOT ALL HARDWARE INCLUDED WILL BE USED

CAUTION!

DO NOT INSTALL INTO DRYWALL ALONE. VERIFY YOUR WALL CONSTRUCTION. USE WOOD STUDS TO MOUNT. We include mounting for brick and concrete walls. If unsure, please contact us at vivo-us.com, email at help@vivo-us.com, or call us at 309-278-5303.

WARNING: CHOKING HAZARD

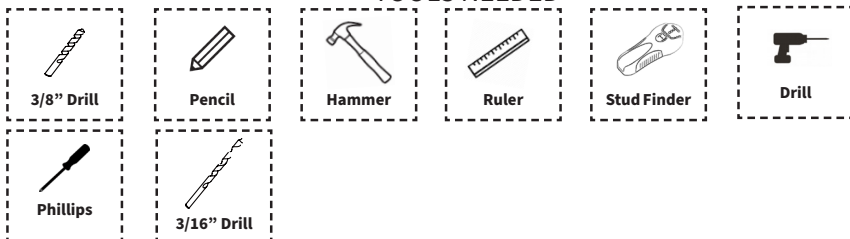
SMALL PARTS - NOT FOR CHILDREN UNDER 3 YEARS. ADULT SUPERVISION IS REQUIRED.

DO NOT EXCEED WEIGHT CAPACITY.

Failure to do so may result in serious injury.



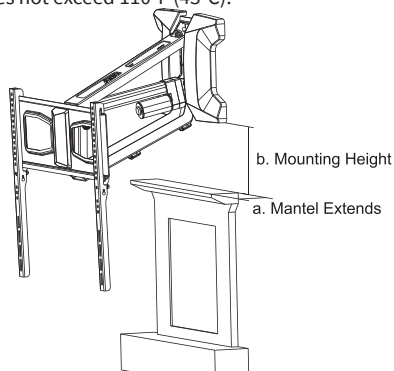
TOOLS NEEDED



ASSEMBLY STEPS

STEP 1

Measure the required mounting height using the chart below. Ensure the front edge of the mantel does not exceed 110°F (43°C).

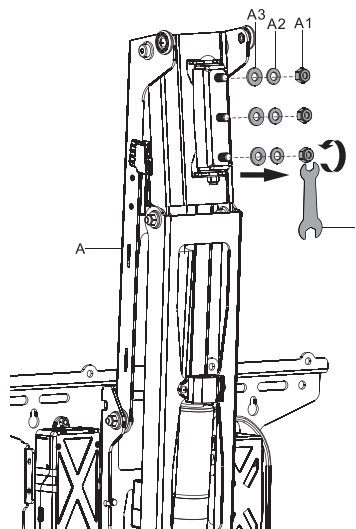


Use this chart for installation STEP 3.

a. If mantel extends:	b. This is required mounting height:
≤ 4" (100mm)	≥ 3-1/8" (80mm)
≤ 7-7/8" (200mm)	≥ 7-7/8" (200mm)
≤ 11-3/4" (300mm)	≥ 9-7/8" (250mm)
≤ 13-3/4" (350mm)	≥ 11-3/4" (300mm)

STEP 2

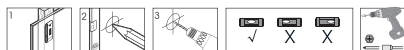
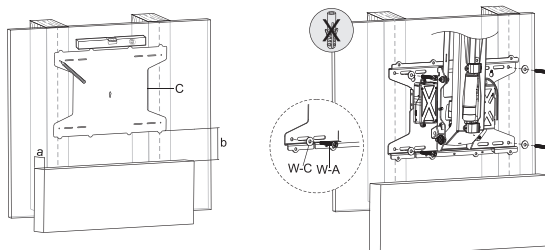
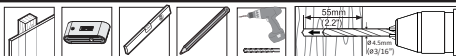
Remove pre-installed nuts (**A1**), metal washers (**A2**) and plastic washers (**A3**) from the mount (**A**) using the wrench (**I**).



STEP 3

OPTION A: Wood Wall Installation

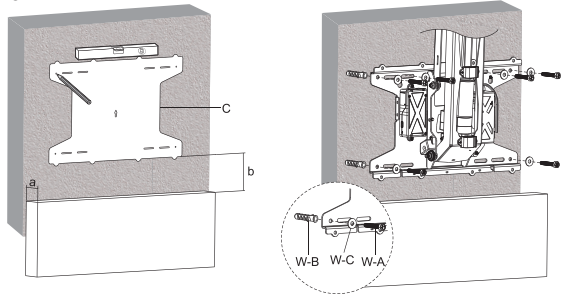
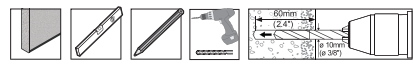
Align the bottom edge of the stencil (**C**) with the measured height from step 1 and mark drilling locations using a pencil. Use of a stud finder and level is recommended. Remove stencil and drill 2.2" (55mm) deep holes using a 3/16" (4.5mm) drill bit. Attach the mount (**A**) to the wall using screws (**W-A**) and washers (**W-C**).



STEP 3 (Continued)

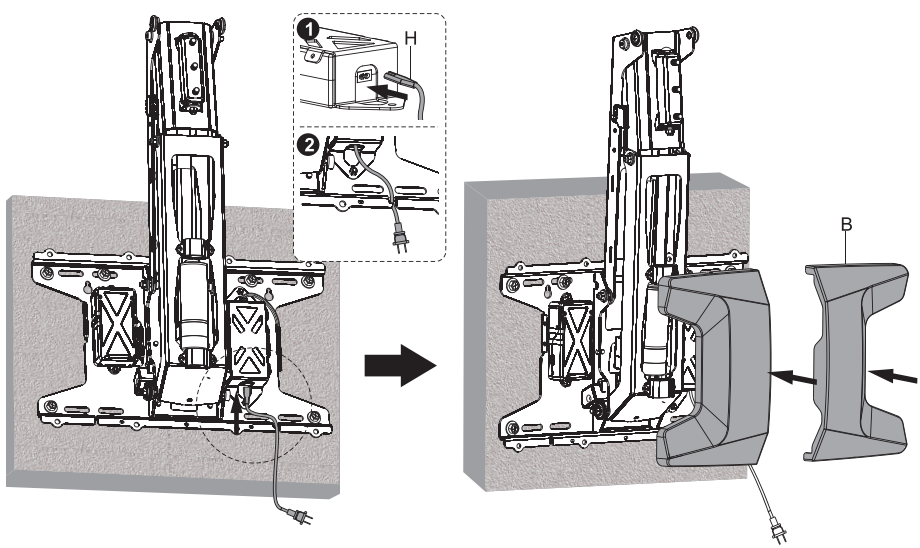
OPTION B: Concrete/Brick Installation

Align the bottom edge of the stencil (**C**) with the measured height from step 1 and mark drilling locations using a pencil. Use of a level is recommended. Remove stencil, drill 2.4" (60mm) deep holes using a 3/8" (10mm) drill bit, and insert anchors (**W-B**) into the holes. Attach the mount (**A**) to the wall using screws (**W-A**) and washers (**W-C**).



STEP 4

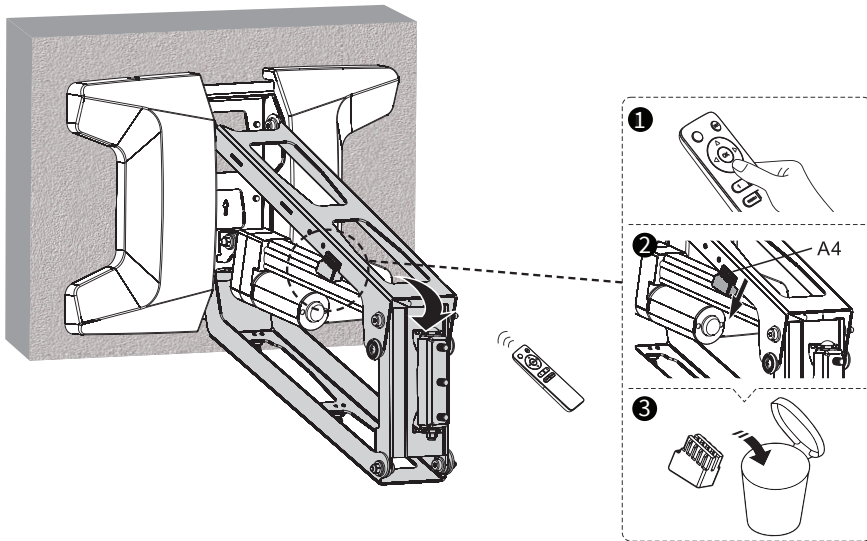
Plug the power cord (**H**) into mount (**A**). Place the cord into the slot as shown and snap the wall plate covers (**B**) in place.



STEP 5

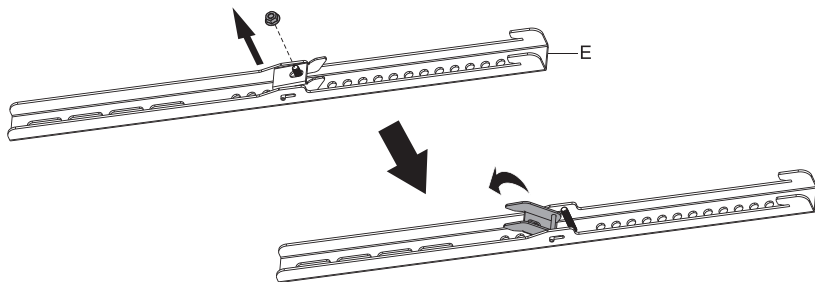
Plug the power cord (**H**) into a wall outlet. Press and hold the down button on the remote (**G**) until the arm is fully lowered. Remove and discard the plastic wedge (**A4**).

WARNING! The arm is not able to fully raise and may cause damage to the mount if the wedge is not removed



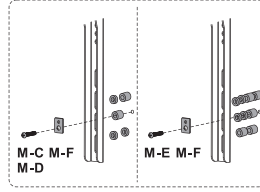
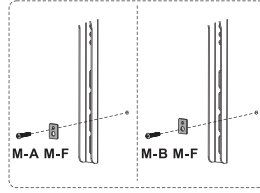
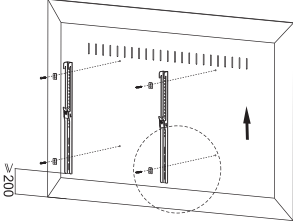
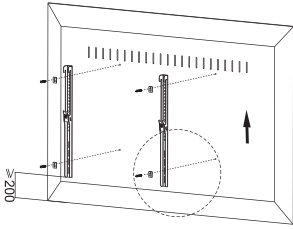
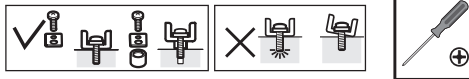
STEP 6

Remove the nut from each VESA bracket (**E**) and flip open the clip.



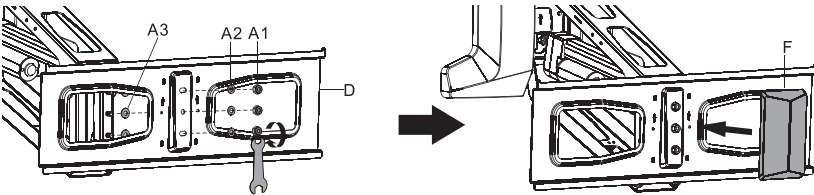
STEP 7

Attach the VESA brackets (**E**) to the back of the TV using combination of screws (**M-A - M-E**), washers (**M-F**) and spacers (**M-G, M-H**) appropriate for your TV. The bottom edge of the VESA brackets should be greater than 7-7/8" (200mm) above the bottom edge of the TV.



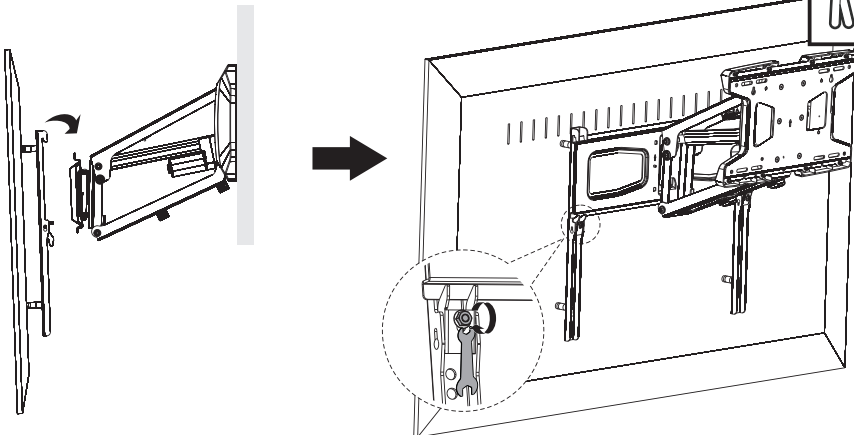
STEP 8

Place previously removed plastic washers (**A3**) on the mount (**A**). Attach the TV plate (**D**) to the mount using nuts (**A1**) with metal washers (**A2**). Make sure the TV plate is level, and tighten nuts using the wrench (**I**). Press the front cover (**F**) onto the front of the TV plate.



STEP 9

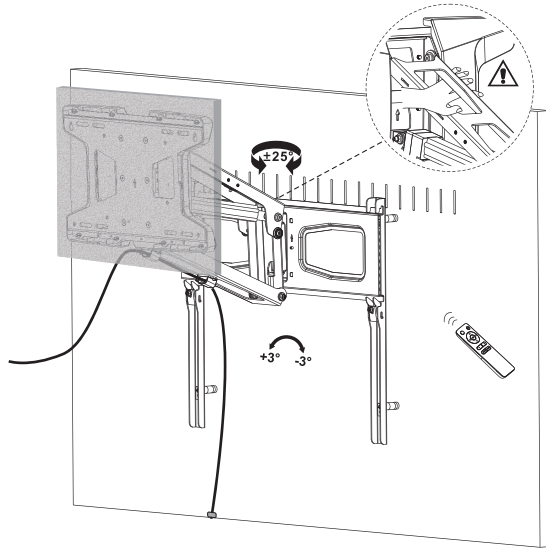
Hang the TV with VESA brackets (**E**) onto the TV plate (**D**). Close the clips, and secure using the previously removed nuts. Tighten with the wrench (**I**).



STEP 10

Manage cables using the cable clips on the arm. Use the remote (G) to raise and lower the mount. The TV may be manually swiveled to the left and right.

CAUTION: To avoid injury, do not place hand in the arm while operating.





Open **Monday - Friday 7:00am - 7:00pm** CST,
our dedicated support team can offer immediate assistance with rapid response times. If any parts are received damaged or defective, please contact us. We are happy to replace parts to ensure you have a fully functioning product.



309-278-5303

AVG. RESOLUTION TIME (*within office hrs*): **5M 4S**



www.vivo-us.com
Chat live with an agent!

AVG. RESOLUTION TIME (*within office hrs*): **< 15 M**



help@vivo-us.com

AVG. RESPONSE TIME (*within office hrs*): **1HR 8M**

- 23% within < 15m
- 38% within < 30m
- 61% within < 1hr
- 83% within < 2hr
- 92% within < 3hr